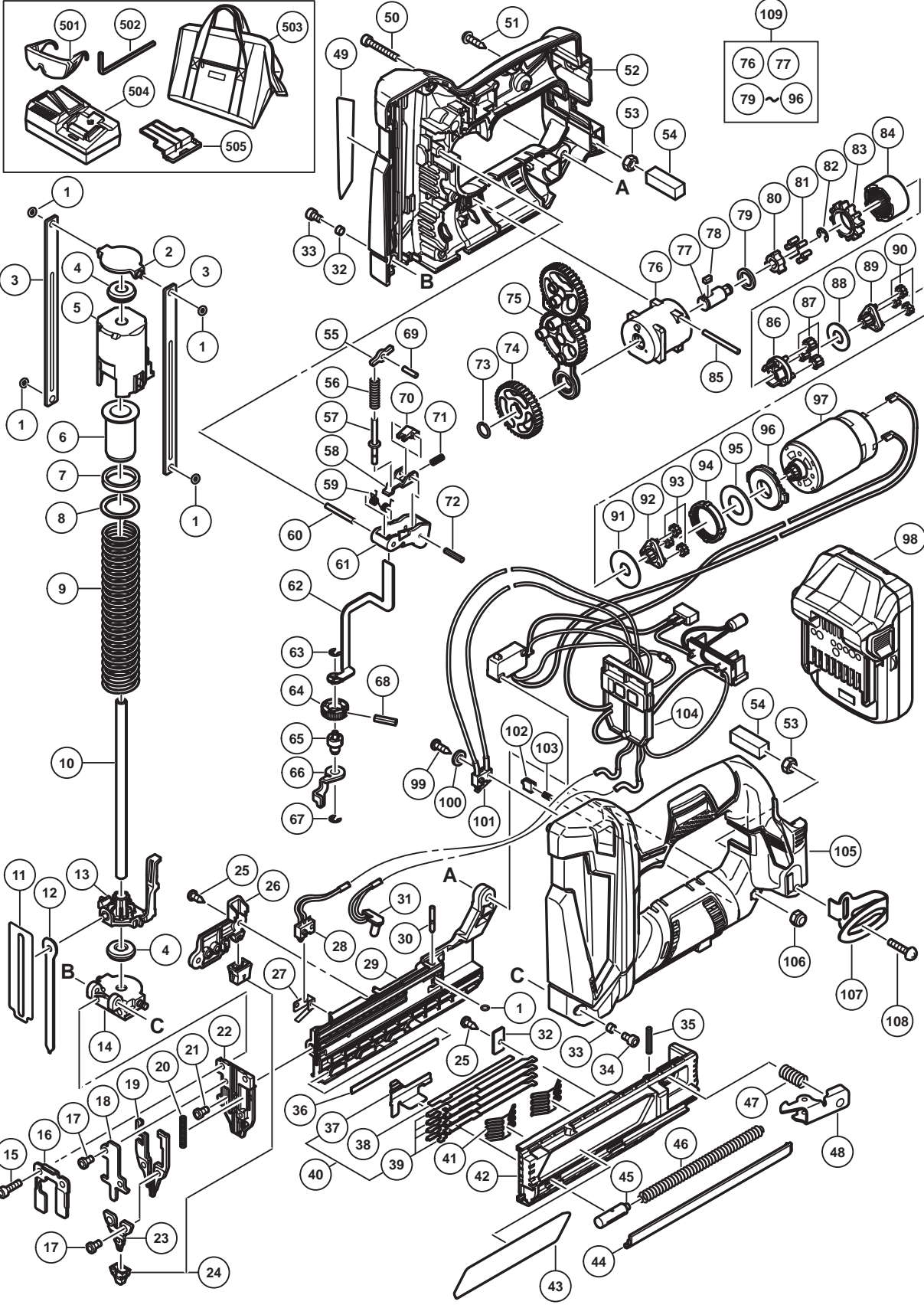
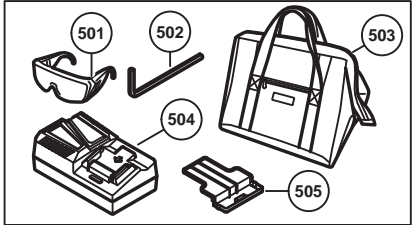


PNEUMATIC TOOL PARTS LIST

CORDLESS PIN NAILER
Model NP 18DSAL

2017-7-28
(E1)



PARTS

NP 18DSAL

ITEM NO.	CODE NO.	DESCRIPTION	NO. USED	REMARKS
1	338981	O-RING (I.D 2.8)	5	
2	339075	TOP HOLDER	1	
3	339078	SLIDE GUIDE BAR	2	
4	370631	PLUNGER DAMPER	2	
5	339073	WEIGHT	1	
6	372869	WEIGHT SLEEVE	1	
7	372870	SPRING DAMPER (B)	1	
8	372871	DAMPER WASHER (B)	1	
9	370629	SPRING	1	
10	339095	PLUNGER SHAFT	1	
11	339088	COVER PLATE	1	
12	339087	DRIVER BLADE	1	
13	370630	PLUNGER (A)	1	
14	370643	BOTTOM HOLDER	1	
15	949821	HEX. SOCKET HD. BOLT M5 X 16 (10 PCS.)	2	
16	339084	GUIDE PLATE (B)	1	
17	370899	HEX.SOCKET BOLT M4 X 6	4	
18	339083	GUIDE PLATE (A)	1	
19	339081	PUSHING LEVER(A)	1	
20	329133	PUSHING LEVER SPRING	1	
21	370640	LOW HEAD HEX. SOCKET BOLT M4 X 8	1	
22	370634	BLADE GUIDE	1	
23	339082	NOSE	1	
24	370901	NOSE CAP SET	1	
25	339108	TAPPING SCREW D3 X 8	3	
26	339098	SWITCH HOLDER	1	
27	335025	MICRO SWITCH HOLDER (B)	2	
28	370902	MICRO SWITCH (B)	1	
29	339099	MAGAZINE	1	
30	339100	STOPPER SHAFT	1	
31	370644	LED	1	
32	339107	GUIDE BAR PLATE	1	
33	370639	SLEEVE	2	
34	878614	NYLOCK HEX. SOCKET HD. BOLT M4 X 8	2	
35	949685	ROLL PIN D3 X 20 (10 PCS.)	1	
36	339101	NAIL PLATE	1	
37	372727	NAIL FEEDER	1	
38	339103	TOP BAR	1	
39	372728	GUIDE BAR (A)	4	
40	372729	GUIDE BAR ASS'Y	1	INCLUD.37,39
41	339109	SPRING PLATE	2	
42	339104	MAGAZINE COVER	1	
43		CAUTION LABEL	1	
44	339106	FEEDER COVER PLATE	1	
45	329125	FEEDER PIECE	1	
46	339105	FEED SPRING	1	
47	370636	BUSHING SPRING (B)	1	
48	331121	STOP LEVER	1	
49		NAME PLATE	1	
50	949664	HEX. SOCKET HD. BOLT M5 X 30 (10 PCS.)	1	

PARTS

NP 18DSAL

ITEM NO.	CODE NO.	DESCRIPTION	NO. USED	REMARKS
51	313687	TAPPING SCREW (W/FLANGE) D3 X 16 (BLACK)	9	
52	339071	HOUSING (B)	1	
53	327002	LOCK NUT M4 (BLACK)	2	
54	331186	PACKING	2	
55	329107	SWITCH LEVER (T)	1	
56	370900	PLUNGER SPRING (B)	1	
57	339093	PLUNGER (T)	1	
58	884201	TRIGGER ARM	1	
59	329104	TRIGGER SPRING	1	
60	329103	NEEDLE ROLLER (B)	1	
61	329100	TRIGGER	1	
62	339111	PUSHING LEVER (D)	1	
63	874759	RETAINING RING (E-TYPE) FOR D2.5 SHAFT	1	
64	884221	ADJUSTER	1	
65	339086	PUSHING LEVER (C)	1	
66	339085	PUSHING LEVER (B)	1	
67	872971	RETAINING RING (E-TYPE) FOR D3 SHAFT	1	
68	880093	ROLL PIN D2 X 16	1	
69	329108	NEEDLE ROLLER	1	
70	882896	TRIGGER PIECE	1	
71	324489	SPRING	1	
72	881951	ROLL PIN D2.5 X 16	1	
73	339091	STOPPER RING	1	
74	339089	FIRST GEAR	1	
75	339092	GEAR HOLDER	1	
76	370647	GEAR CASE	1	
77	370648	FIRST GEAR SHAFT	1	
78	339090	KEY 3 X 3 X 6	1	
79	327147	WASHER (A)	1	
80	370649	LOCK CAM	1	
81	329560	NEEDLE ROLLER SET (6PCS.)	6	
82	673489	RETAINING RING (E-TYPE) FOR D5 SHAFT	1	
83	329559	LOCK RING	1	
84	329562	RING GEAR	1	
85	329565	NEEDLE	2	
86	329561	CARRIER	1	
87	329563	PLANET GEAR (C) SET (3 PCS.)	3	
88	329564	WASHER (C)	1	
89	329566	PINION (C)	1	
90	329568	PLANET GEAR (B) SET (3 PCS.)	3	
91	329567	WASHER (B)	1	
92	329569	PINION (B)	1	
93	329571	PLANET GEAR (A) SET (3 PCS.)	3	
94	329570	FIRST RING GEAR	1	
95	329572	WASHER (A)	1	
96	329573	MOTOR SPACER	1	
97	339069	MOTOR	1	
98	339782	BATTERY BSL 1830C (USA,CAN)	1	INCLUD.505
99	334333	TAPPING SCREW D3 X 12 (BLACK)	1	
100	949430	BOLT WASHER M3 (10 PCS.)	1	

